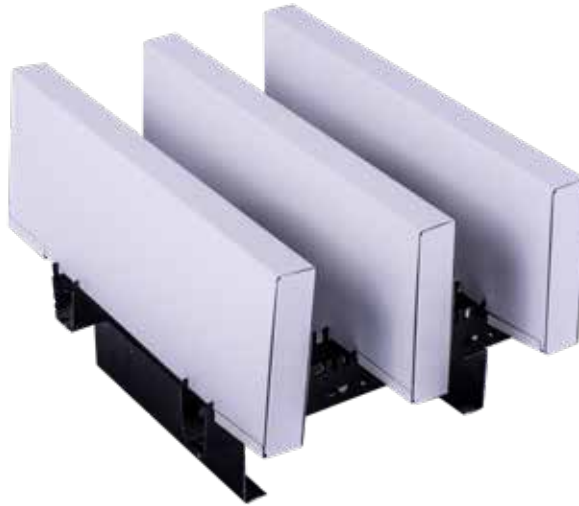




# Baffle Ceiling Systems



**The USG Boral baffle ceiling system introduces unique design element to any space and is a striking addition whether it is installed throughout an entire room or just serves as an accent. Both the style and spacing is customisable and the system can also be installed on either vertical or curved surfaces. The USG Boral Baffle ceiling panels can be easily installed and uninstalled for accessibility.**

---

## FEATURES AND BENEFITS

- An open ceiling design with bolt on panels provides a unique seamless look to any indoor space
- Can be installed on vertical and curved surfaces
- Panel spacing and ends can be varied to suit ceiling and wall curvatures
- Bolted bracket holds panels safely in place and can be easily removed for accessibility
- A wide range of colors and wood tones to achieve a customised effect
- Individually replaceable panels

---

## APPLICATIONS

- Entertainment venues
- Galleries
- Lounges
- Foyers
- Corridors
- Commercial spaces

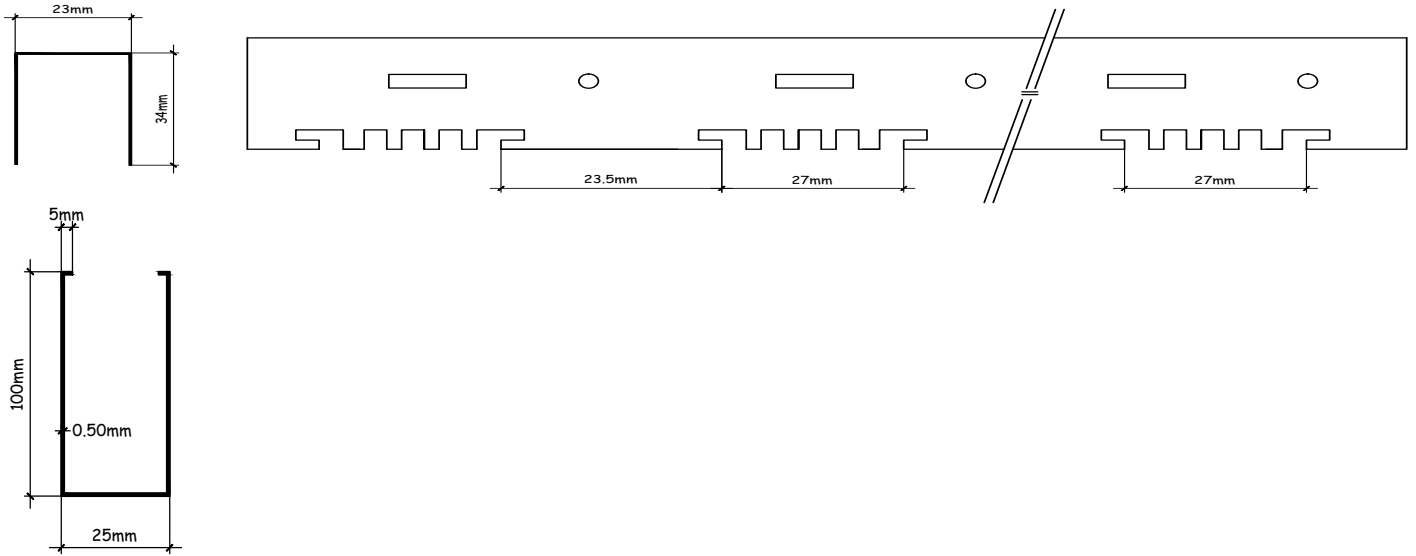
---

## MATERIAL OPTIONS

- Galvanised Mild Steel
- Aluminium

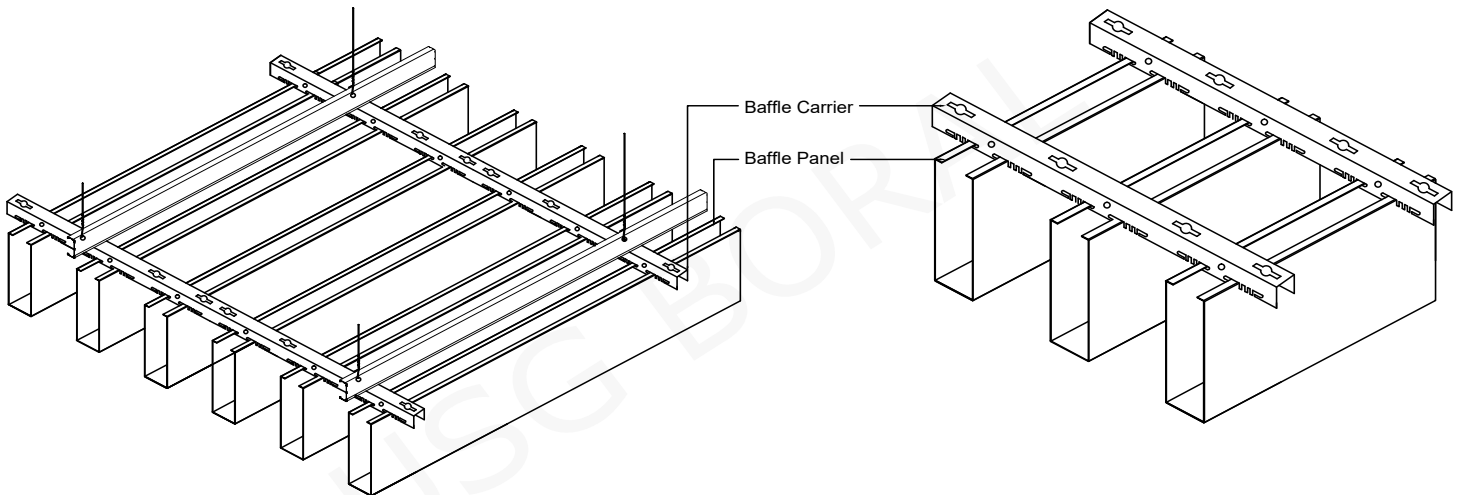
---

## Baffle carriers

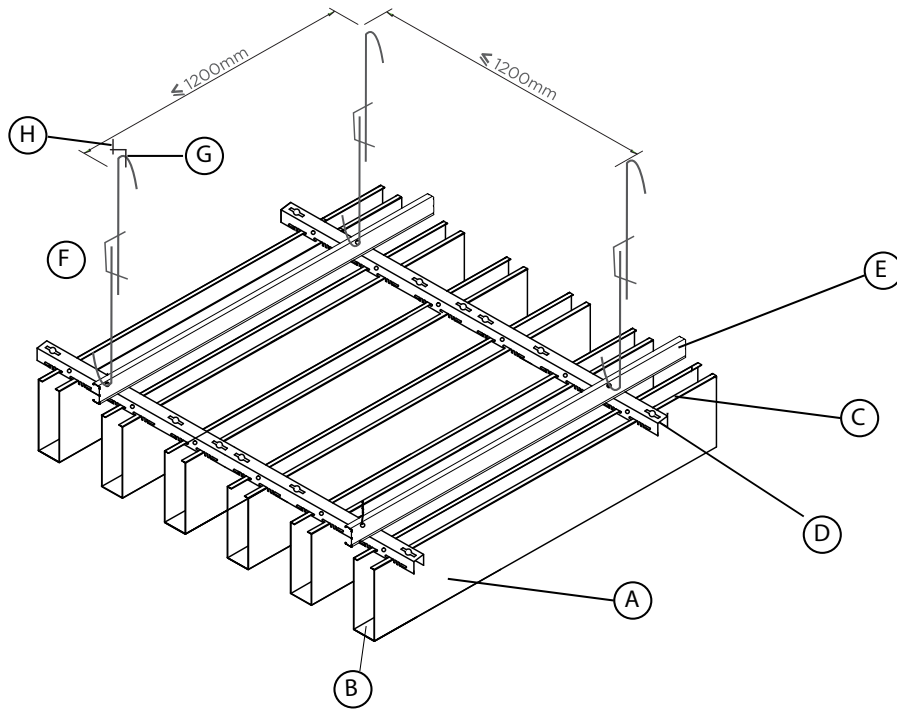


---

## Baffle ceiling Fixing Detail



## GENERAL ARRANGEMENT DRAWING OF SUSPENSION SYSTEM



Item	Description
A	Baffle
B	End Cap
C	Top Cap
D	Carrier
E	Secondary Channel
F	Butterfly clip
G	Soffit
H	Fastener

## SPECIFICATIONS

### Open Cell Tiles

Material	Thickness	Pattern	Center to center spacing	Coating
GI	0.5	25x100	100	Prepainted/Powder coated
GI	0.5	25x100	150	Prepainted/Powder coated
Aluminium	0.7	25x100	100	Powder Coated
Aluminium	0.7	25x100	150	Powder Coated

## COLOUR OPTIONS



WHITE



BLACK



WOODEN